

THEME MEETING ON THE FUTURE PROSPECTS OF NUCLEAR ASTROPHYSICS RESEARCH AT IUAC

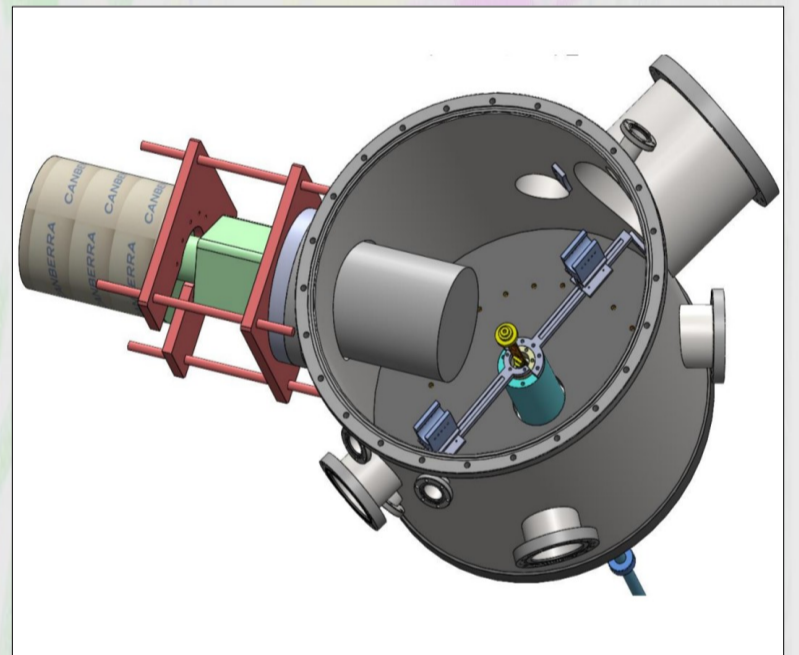
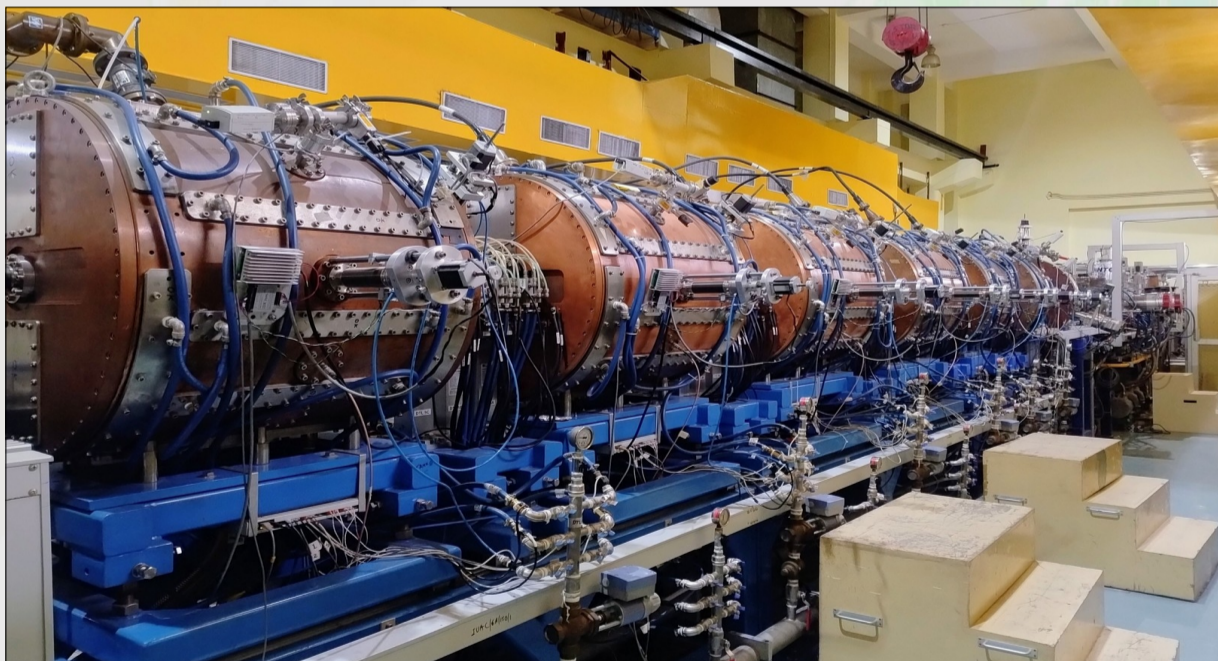
19nd - 20th May, 2025

Inter-University Accelerator Centre (IUAC),

Aruna Asaf Ali Marg, New Delhi-110067

Objective

IUAC is planning to organise a theme meeting to discuss the future prospects of nuclear astrophysics research using the upcoming High Current Injector (HCI) accelerator facility on 19-20 May 2025. The meeting is intended to provide an open forum for exploring ways to tackle unique problems in nuclear astrophysics using the HCI accelerator facility. This accelerator is capable of producing a variety of beam species, with high intensity (usually in microamperes) and energies up to 1.8 MeV per nucleon. A new scattering chamber has been designed and developed in-house to mount the target and various detection systems. The chamber features a cooling system for the target, rotatable arms for mounting the detectors, a re-entrant cup to position the gamma detector close to the target, provisions for the in-vacuum transfer of targets, etc. The theme meeting will feature invited talks from experts, focusing on detection systems, physics problems, and theoretical calculations relevant to experiments that can be conducted with the HCI accelerator facility.



Participation by invitation only



Local Organizing Committee
Golda K.S. & N. Saneesh (Conveners),
R. P. Singh, A. Jhingam, S. Nath

Contact us at
physicsprogram.iuac@gmail.com
Home Page: www.iuac.res.in

