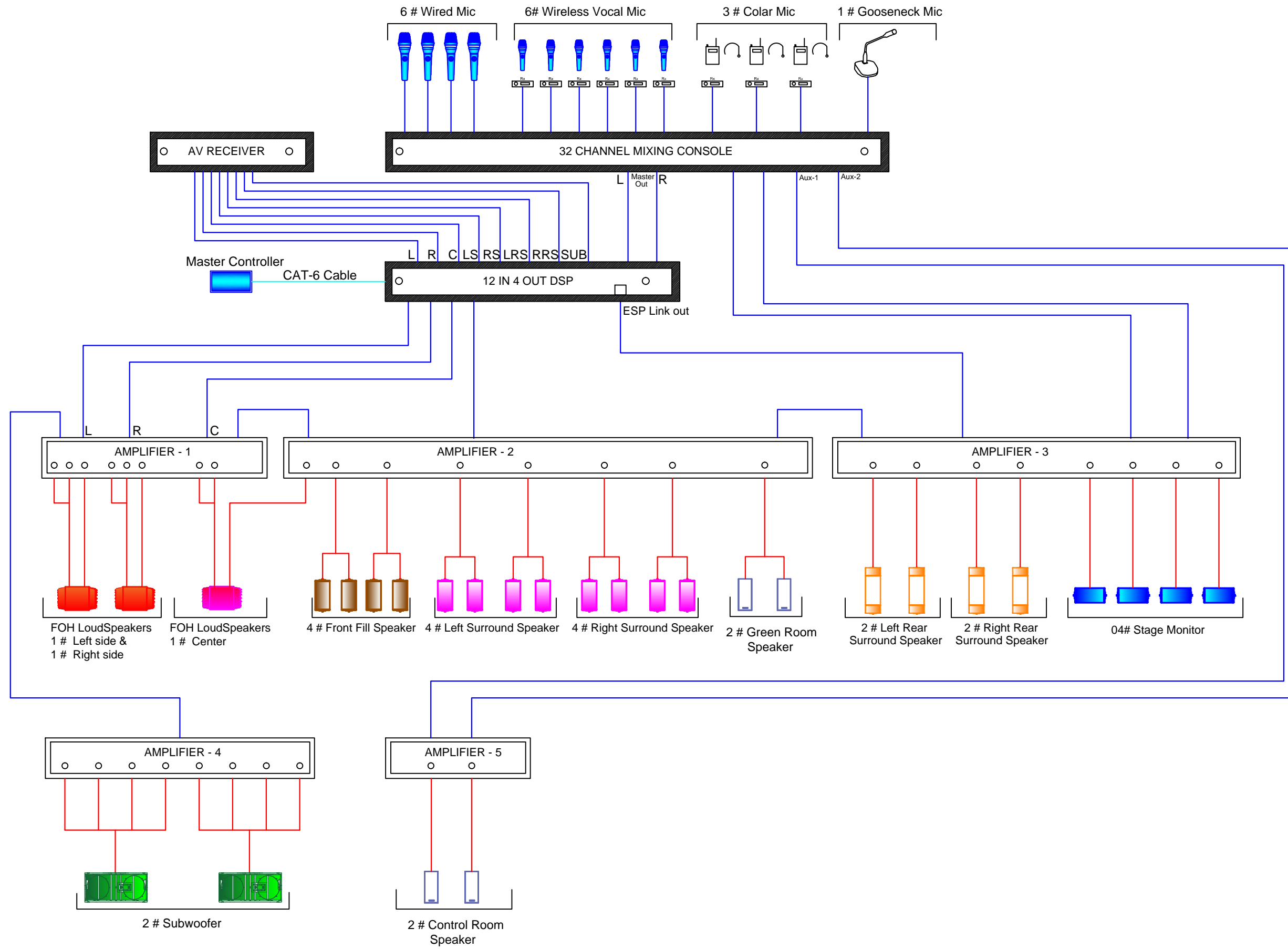
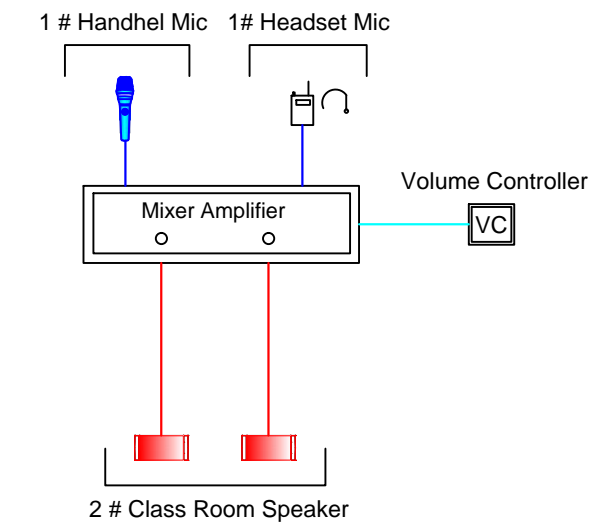


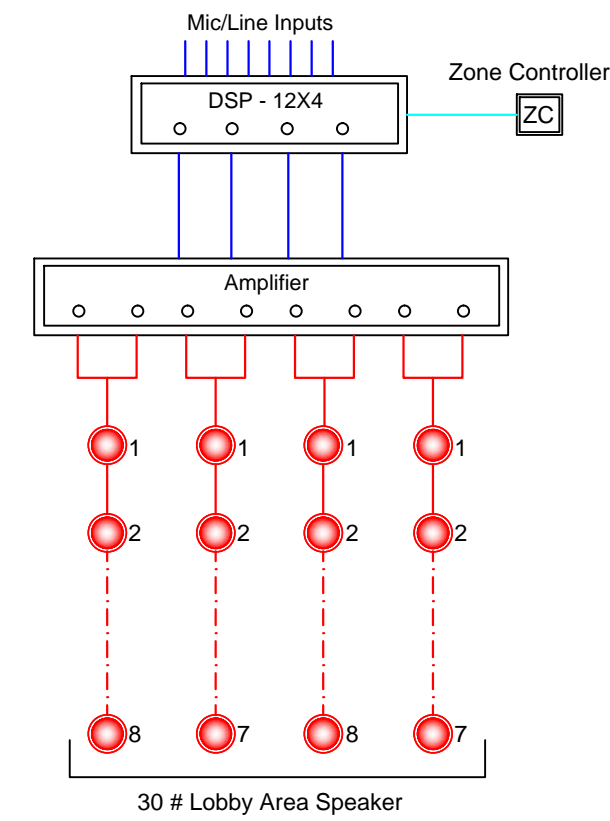
Auditorium



Class Room # 1 Set



Lobby Area



LEGEND

—	SPEAKER CABL
—	MIC CABLE
—	CAT-6 CABLE

TENDER DRAWING

PRINCIPAL CONSULTANT :-

RITES Ltd.
A Government of India Enterprises

CLIENT :-

I.U.A.C.

MEP Consultant:-

M.S ASSOCIATES

MEP CONSULTANT ENGINEERS
B-400, Gali No.-10, Veerabhar Road Near Krishna Damsada,
Gaurav Nagar, Prem Nagar Part-II, Nangloi, New Delhi-110086
E-Mail: msassociates95@gmail.com, ajay20051978@yahoo.com
Tel. 09213274289, 09555954522

ASSOCIATE CONSULTANT:-

MATHUR
UGAM AND ASSOCIATES
A1/294, SAFDARJUNG ENCLAVE
NEW DELHI-110029
PH. NO.-(011) 26108436, 26100971
FAX No.-26185711
NS-EN ISO 9001:2008/ISO 9001:2008

PROJECT:

AUDITORIUM FOR I.U.A.C OF 300+ SEATING CAPACITY AT I.U.A.C CAMPUS , NEW DELHI.

TITLE:

A.V. SINGLE LINE DIAGRAM

DRG.No. : IUAC/RITES/A.V./SLD-01

DATE	14/12/2016
SCALE	----
DRAWN	KUMAR
CHKD. BY	SINGH